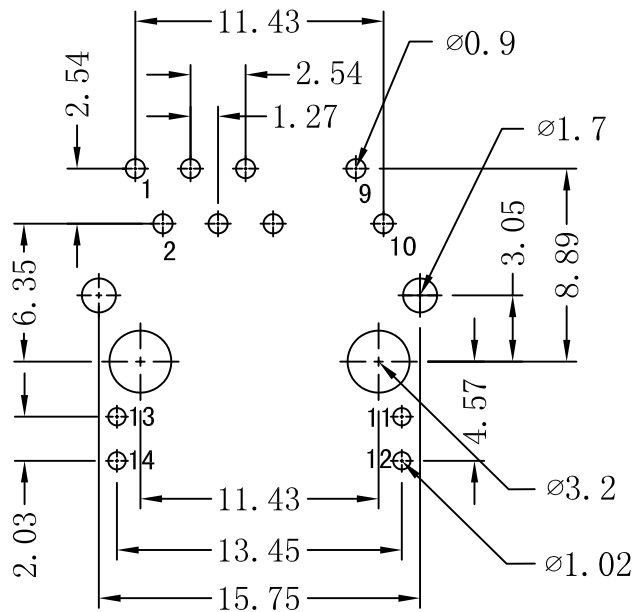
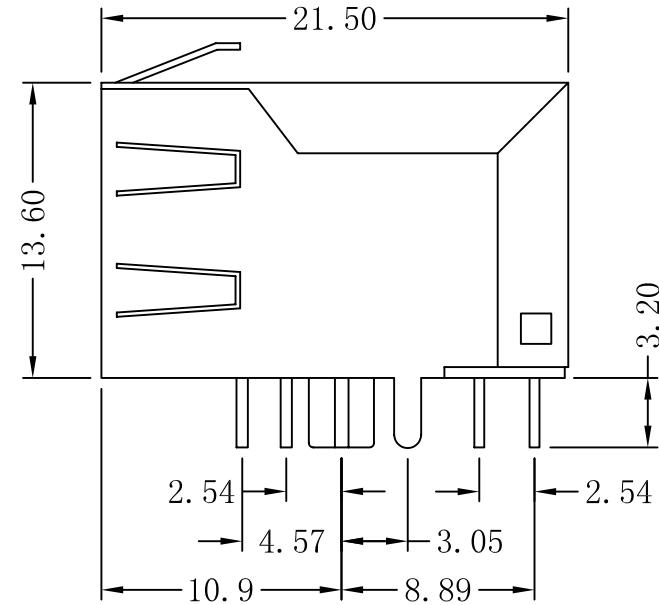
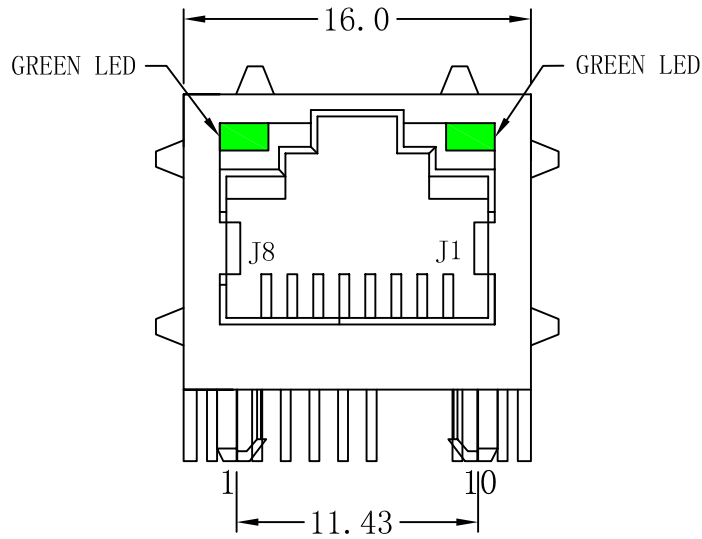


Mechanical:

REV.	ECN NO.	DESCRIPTION	DATE	APPD
A	REL		08/10/2009	



Suggested PCB Layout (TOP VIEW)



NOTES:

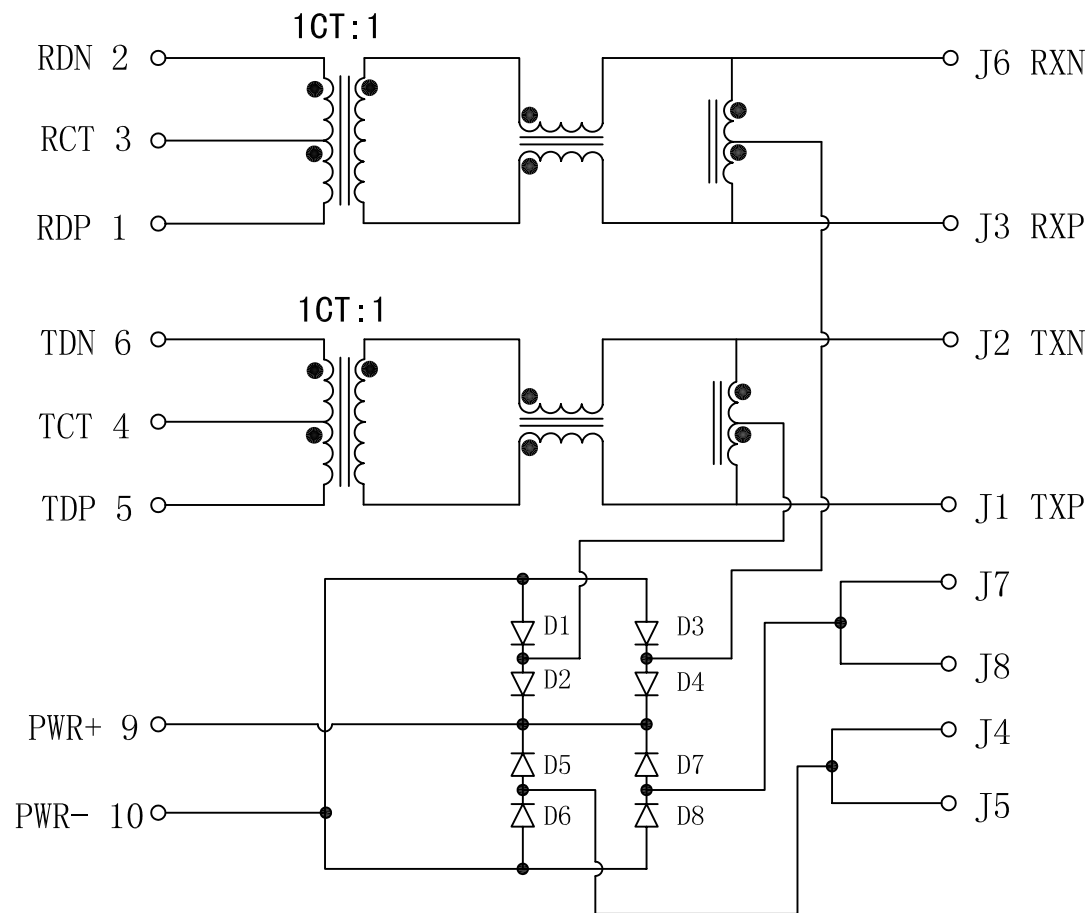
1. Designed to support application, such as SOHO (ADSL modems), LAN-on-Motherboard (LOM), hub and Switches.
2. Meets IEEE 802.3 specification
3. Connector Materials:
 Housing: Thermoplastic UL94V-0
 Contact/Shield: Copper alloy
 Shield plating: Nickel
 Contact plating: Gold 6 micro-inches min. In contact area.
4. Wave solder tip temperature: 265°C Max
 Wave solder tip temperature time: 5 Sec Max

X:X	±0.20	APPD:	LINK-PP INT'L TECHNOLOGY CO., LIMITED
X:XX	±0.10	CHKD:	
X:XXX	±0.05	DR: TOM	Title: RJ45 Connector With 10 /100 Base-TX Integrated Magnetic TAB-UP
ANGLES	±1°	UNIT: mm	PART NO.: LPJ16249AZNL
	SCALE: 2/1	SHEET: 1/2	REV: A DWG NO: LP09100803

Schematic:

REV.	ECN NO.	DESCRIPTION	DATE	APPD
A	REL		08/10/2009	

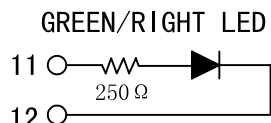
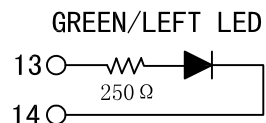
PC BOARD CONNECTIONS



RJ45 CONNECTOR

Electrical Specifications @25°C

- Turns Ratio ($\pm 2\%$) :
TX=1CT:1 RX=1CT:1
- Inductance OCL: 350uH min
@100KHz, 0.1Vrms, 8mADC Bias
- Return Loss (dB Min) :
1-30MHz:-18; 40MHz:-16
50MHz:-14; 60-80MHz:-12
- Crosstalk (dB Min) :
0.3-80MHz:-30
- Insertion Loss:
0.5-100MHz:-1.1dB Max
- Isolation Voltage: 1500V
- Operating Temperature: 0~70°C



X:X	± 0.20	APPD:	LINK-PP INT'L TECHNOLOGY CO., LIMITED
X:XX	± 0.10	CHKD:	
X:XXX	± 0.05	DR: TOM	Title: RJ45 Connector With 10 /100 Base-TX Integrated Magnetic TAB-UP
ANGLES	$\pm 1^\circ$	UNIT: mm	PART NO.: LPJ16249AZNL
	SCALE: 2/1	SHEET: 2/2	REV: A DWG NO: LP09100803